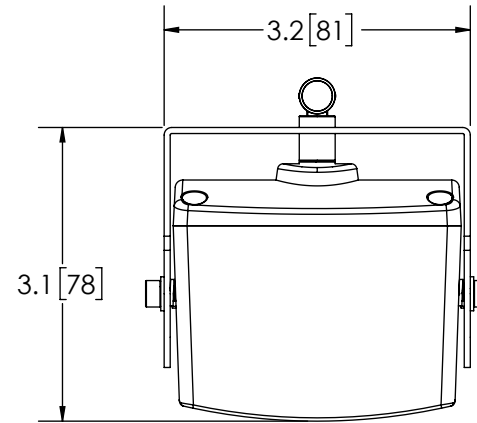
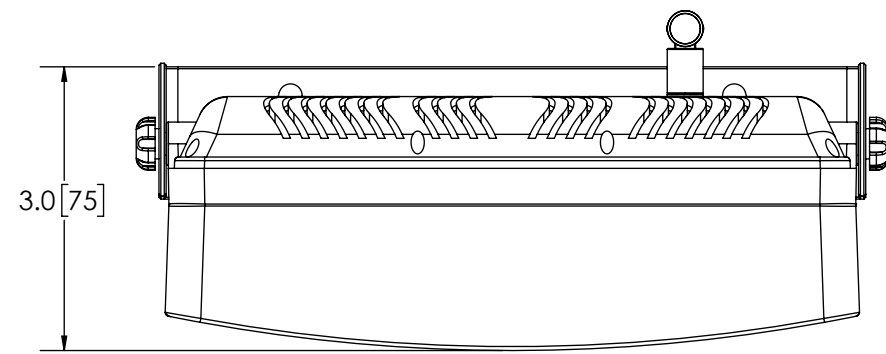
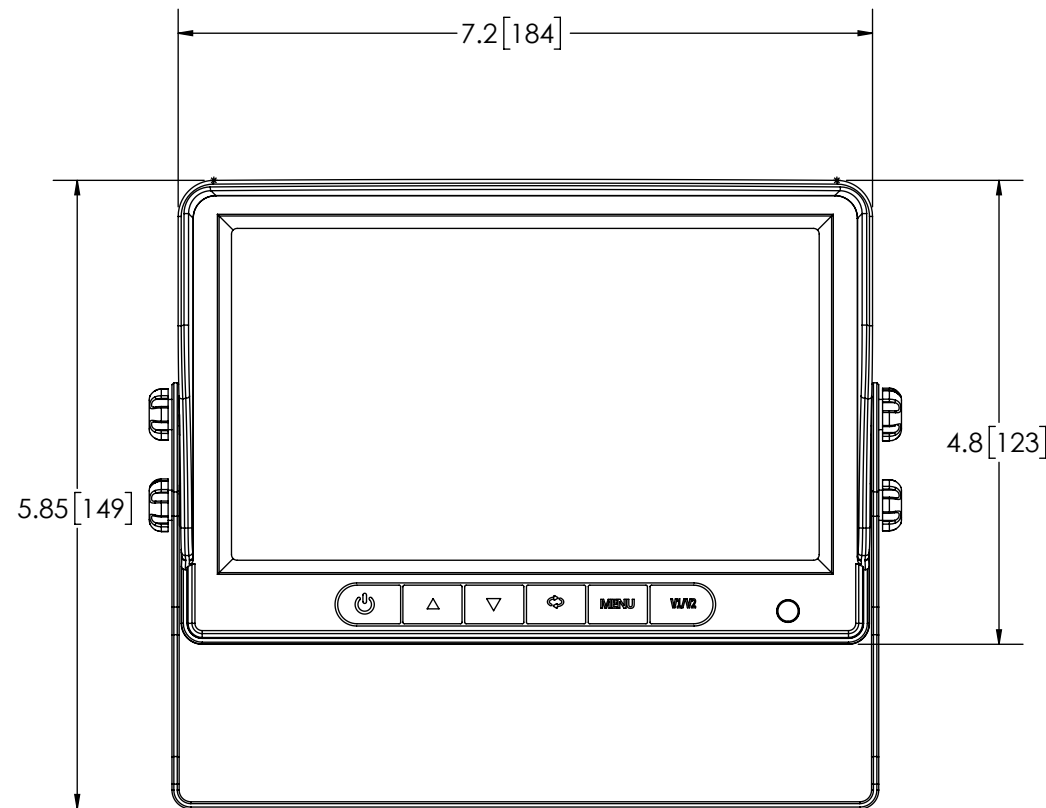


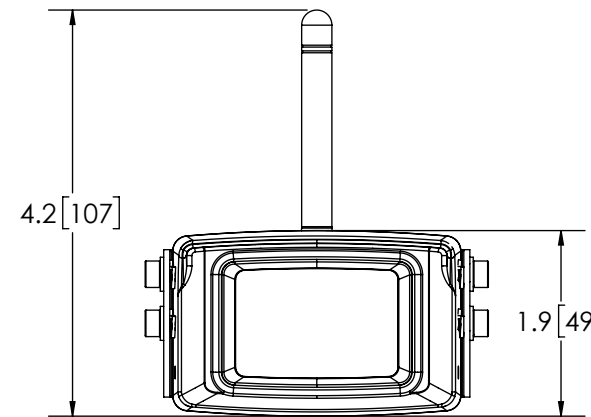
REVISION HISTORY		
REV.	DESCRIPTION	DATE
A	INITIAL RELEASE PER EP0183	2023-06-20
B	REVISED PER EP0183	2023-08-01
C	REVISED PER EP0183	2023-10-17



TOP VIEW



FRONT VIEW



MONITOR SPECIFICATIONS

- CERTIFICATIONS: **CE**; ECE R10; FCC, UKCA
Note: Unique components, accessories, and hardware kits are not typically included in the Product Certification Test Protocols. Unless otherwise Specified, the Product Certifications referred to herein are predicated upon the base product model configuration.
- DISPLAY: 16:9, 7 inch
- RESOLUTION: 1080 x 720 (PIXELS)
- COLOR SYSTEM: PAL/NTSC
- VOLTAGE (NOMINAL): 12-24 VDC
- VOLTAGE (EXTREME): 10-32 VDC
- CURRENT (NOMINAL): 0.29A (@ 12 VDC NOMINAL)
- POWER (NOMINAL): 3.7W (@ 12 VDC NOMINAL)
- TEMPERATURE RANGE: -4°F (-20°C) TO 149°F (65°C)
- CONNECTION: 7 PIN CABLE
- RECOMMENDED MOUNTING: ADJUSTABLE BASE SUPPORT
- PRODUCT WEIGHT: 1.3 LBS (0.6 Kg)
- AUDIO: YES
- DAY/NIGHT SENSOR: YES
- WIRELESS: YES


CAMERA SPECIFICATIONS

- CERTIFICATIONS: **CE**; ECE R10; FCC, UKCA, IP69K
Note: Unique components, accessories, and hardware kits are not typically included in the Product Certification Test Protocols. Unless otherwise Specified, the Product Certifications referred to herein are predicated upon the base product model configuration.
- RESOLUTION: 1292 x 968 (PIXELS)
- IR LEDs FOR NIGHT VISION (8-10M VISIBILITY)
- VOLTAGE (NOMINAL): 12-24 VDC
- VOLTAGE (EXTREME): 10-32 VDC
- CURRENT (NOMINAL): 0.09A (@ 12 VDC NOMINAL)
- POWER (NOMINAL): 1.15W (@ 12 VDC NOMINAL)
- TEMPERATURE RANGE: -22°F (-30°C) TO 149°F (65°C)
- CONNECTION: 4-PIN CABLE
- RECOMMENDED MOUNTING: UNIVERSAL BRACKET
- PRODUCT WEIGHT: 0.9 LBS (0.4 Kg)
- AUDIO: YES
- DAY/NIGHT SENSOR: YES
- WIRELESS: YES

- NOTES:
 1. DRAWING IS NOT TO SCALE
 2. DIMENSIONS IN INCHES [MILLIMETERS (FOR REFERENCE)]

PROPRIETARY AND CONFIDENTIAL INFORMATION

THIS DRAWING AND THE DESIGN AND OTHER INFORMATION DISCLOSED HEREIN ARE THE PROPERTY OF ELECTRONIC CONTROLS COMPANY AND/OR ITS ECCO SAFETY GROUP AFFILIATES ("ECCO") AND IS ISSUED IN CONFIDENCE TO RECIPIENT FOR ENGINEERING INFORMATION PURPOSES ONLY. THIS DRAWING AND THE DESIGN AND OTHER INFORMATION DISCLOSED HEREIN MAY NOT BE USED, COPIED, REPRODUCED OR OTHERWISE DISCLOSED IN PART OR IN WHOLE TO THIRD PARTIES OR USED FOR ANY OTHER PURPOSE WITHOUT PRIOR ECCO WRITTEN CONSENT. ECCO RESERVES ALL PATENT, COPYRIGHT, TRADEMARK AND OTHER PROPRIETARY RIGHTS TO THIS DOCUMENT, INCLUDING ALL DESIGN, MANUFACTURING, REPRODUCTION, USE AND SALES RIGHTS THEREIN. THIS DRAWING IS SUBJECT TO RECALL BY ECCO AT ANY TIME, AND YOUR POSSESSION AND/OR USE CONSTITUTES ACCEPTANCE OF THESE TERMS. ©2023 ELECTRONIC CONTROLS COMPANY

SCALE 1:2	APPROVALS	DATE	 ECCO www.eccolink.com Americas (800) 635-5900 Europe +44 (0)113 237 5340 Asia Pacific +61 (0)3 63322444											
CAD GENERATED DRAWING DO NOT MANUALLY UPDATE.	DRAWN BY AH	2023-10-06												
	CHECKED BTK	2023-10-09												
TOLERANCES ARE IN INCHES, AND MILLIMETERS TOLERANCES UNLESS OTHERWISE STATED ARE:	MECH. ENG.		CAM SYS, 7" COLOR, 12-24V, WIRELESS CUSTOMER PART NO. K7000B-WK											
<table border="0"> <tr> <td>MILLIMETERS DECIMALS</td> <td>INCHES DECIMALS</td> <td>ANGLES</td> </tr> <tr> <td>XX. ± 1.0mm</td> <td>X.X ± 0.1</td> <td>± 0.5°</td> </tr> <tr> <td>XX.X ± 0.5mm</td> <td>X.XX ± 0.04</td> <td>FRACTIONS</td> </tr> <tr> <td></td> <td>X.XXX ± 0.02</td> <td>± 1/64</td> </tr> </table>	MILLIMETERS DECIMALS	INCHES DECIMALS		ANGLES	XX. ± 1.0mm	X.X ± 0.1	± 0.5°	XX.X ± 0.5mm	X.XX ± 0.04	FRACTIONS		X.XXX ± 0.02	± 1/64	ELEC. ENG.
MILLIMETERS DECIMALS	INCHES DECIMALS	ANGLES												
XX. ± 1.0mm	X.X ± 0.1	± 0.5°												
XX.X ± 0.5mm	X.XX ± 0.04	FRACTIONS												
	X.XXX ± 0.02	± 1/64												
	TEST ENG. JRT	2023-10-17	SALES.											
			SIZE: B DWG. NO. K7000B-WK REV. C Project: EP0183 Date Created: 2023-05-09											
THIRD ANGLE PROJECTION			Electronically Controlled Use Latest Copy											

